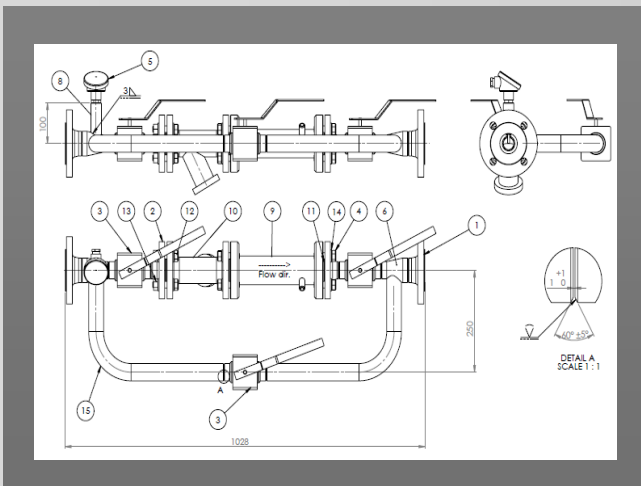


ABC-1B stands for Automatic Burner Controller for systems with one steam atomising burner per boiler, incorporating ACC- Automatic Combustion Controller FWC- Feed Water Controller.

ABC-1B is Siemens Marine type approved PLC based system which is „hook up” retrofit solution for systems for which spare parts are not available any more, or customer is looking for solution which can improve burner operation on MGO and ensure perfect combustion on both MGO & HFO fuels.

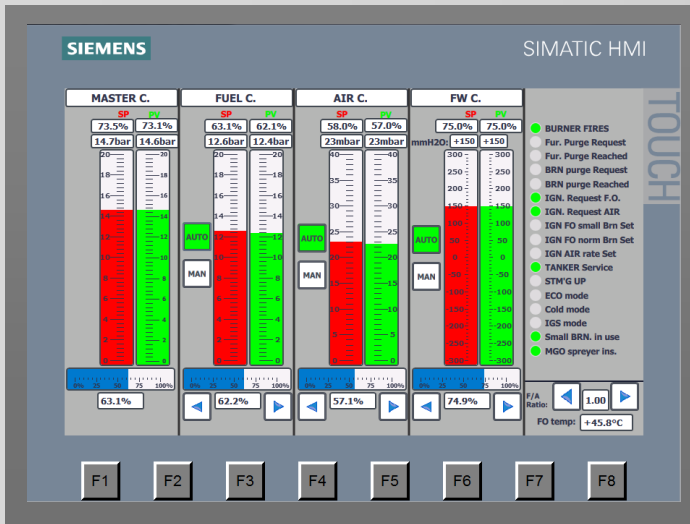


MGO combustion is upgraded to flow feedback by installing marine proved KRAL flow meter, ensuring exact and precise feedback in fractions of liter. Such precise feedback ensures more precise information for ACC (Automatic Combustion Controller), which results in superior combustion during MGO operation.

ABC-1B control cabinet is designed as „Hook up” cabinet, so all present functions of the BCP (Boiler Control Panel) are not changed which reduces commissioning time needed onboard.

System can be also additionally customised by: designing and producing nozzles and burner guns, installing Coolers, new MGO pumps and control cabinets.





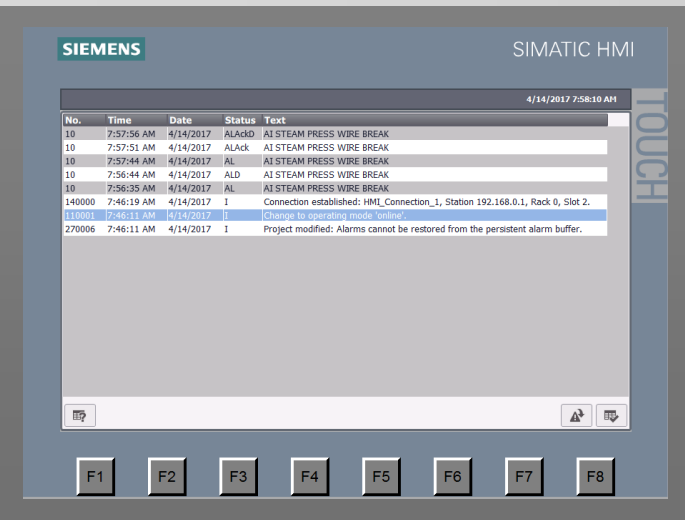
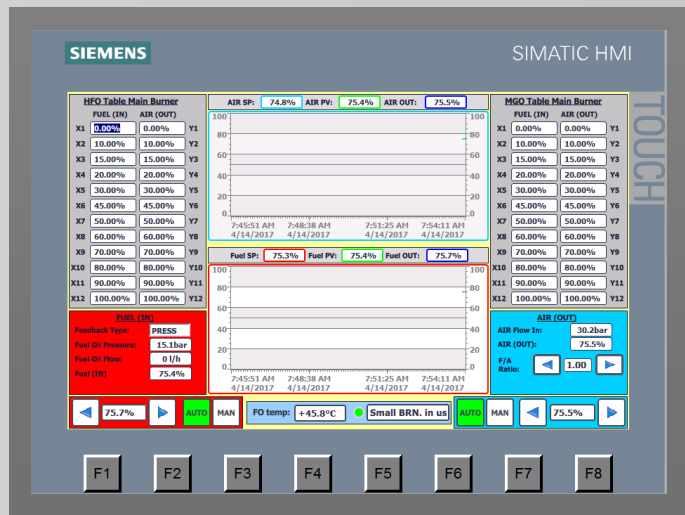
Main functions:

- FUEL Flow Controller
- AIR Flow Controller
- Fuel/Air adjustment table for HFO
- Fuel/Air adjustment table for MGO
- Fuel/Air ratio controller
- Ignition positions independent for HFO & MGO operation
- Recirculation control
- Alarms

System is equipped with Touch panel ensuring user friendly interface.

Operation on each fuel is independently adjusted giving optimum Fuel/Air ratio combustion for each fuel.

Adjustment screen has real time process values and set points values, so Commissioning engineer has fast response how his adjustments influenced burner combustion.



Additional information like:

- PLC diagnostic buffer
- On screen raw process values for easy trouble shooting
- Alarm page
- Alarm history log
- FO & AIR Trends of the process values
- Password protections (in levels)
- User adjustments
- MGO consumption counters
- HFO consumption counters